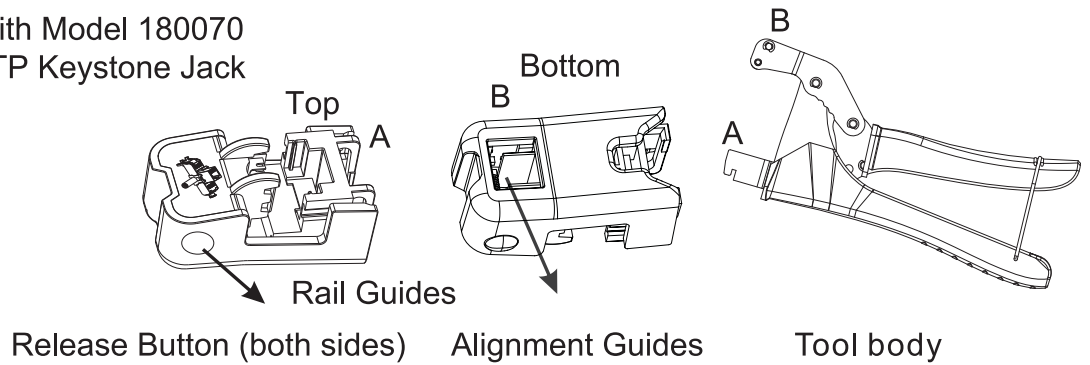
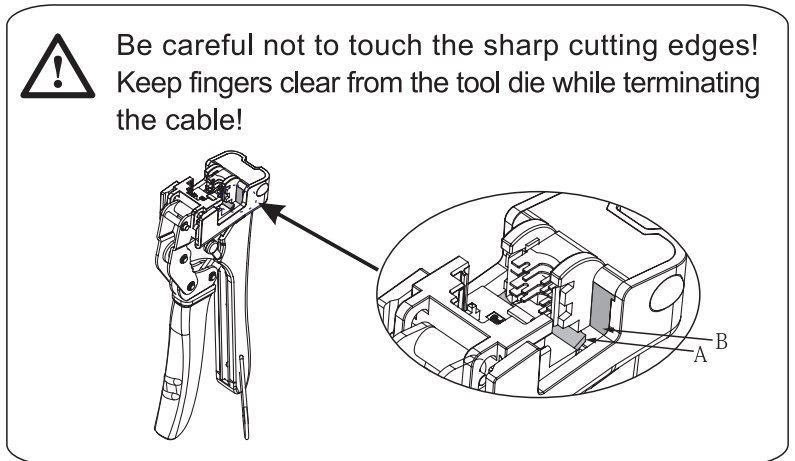
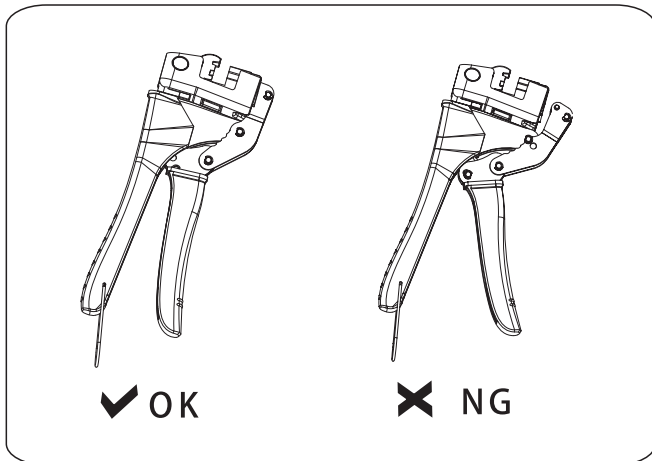
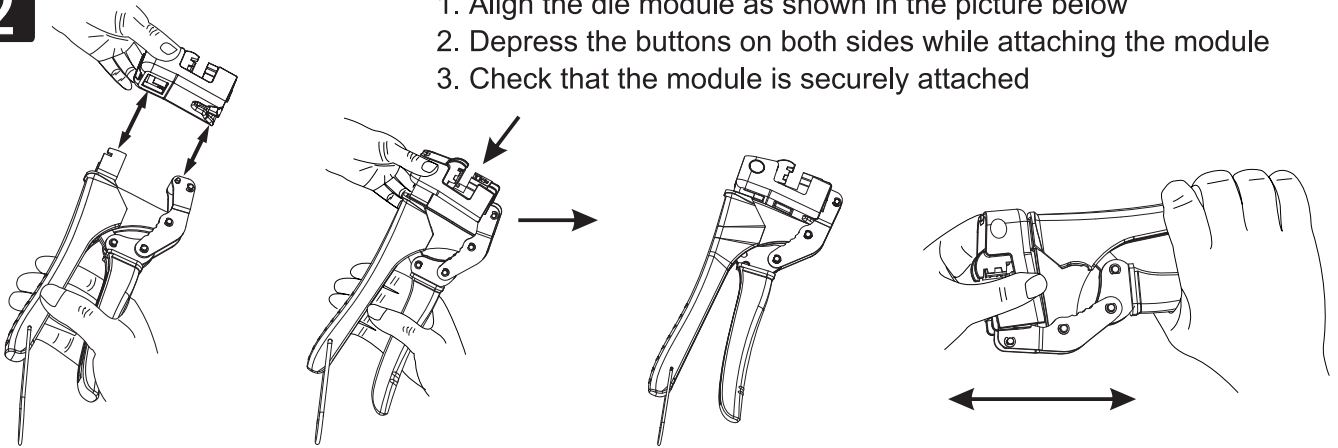


# Crimp Tool for RJ45 Keystone Jack 90-Degree Module Usage Instructions

- 1** Compatible with Model 180070  
90-Degree UTP Keystone Jack



- 2**
1. Align the die module as shown in the picture below
  2. Depress the buttons on both sides while attaching the module
  3. Check that the module is securely attached



- 3**
1. Dress the cable pairs using the 568A or 568B wiring standard
  2. Insert the keystone jack and cable into the crimp tool
  3. Firmly squeeze the tool handles to cut and terminate the cable
  4. Release the crimp tool handles and remove the cable
  5. Snap the cap onto the keystone jack
  6. Remove the die module and engage the locking clip before storing

